

Integra series

Plug & play magnetic lifters for plate handling

IntegraR with round magnets and IntegraQ with rectangular magnets

Simple installation

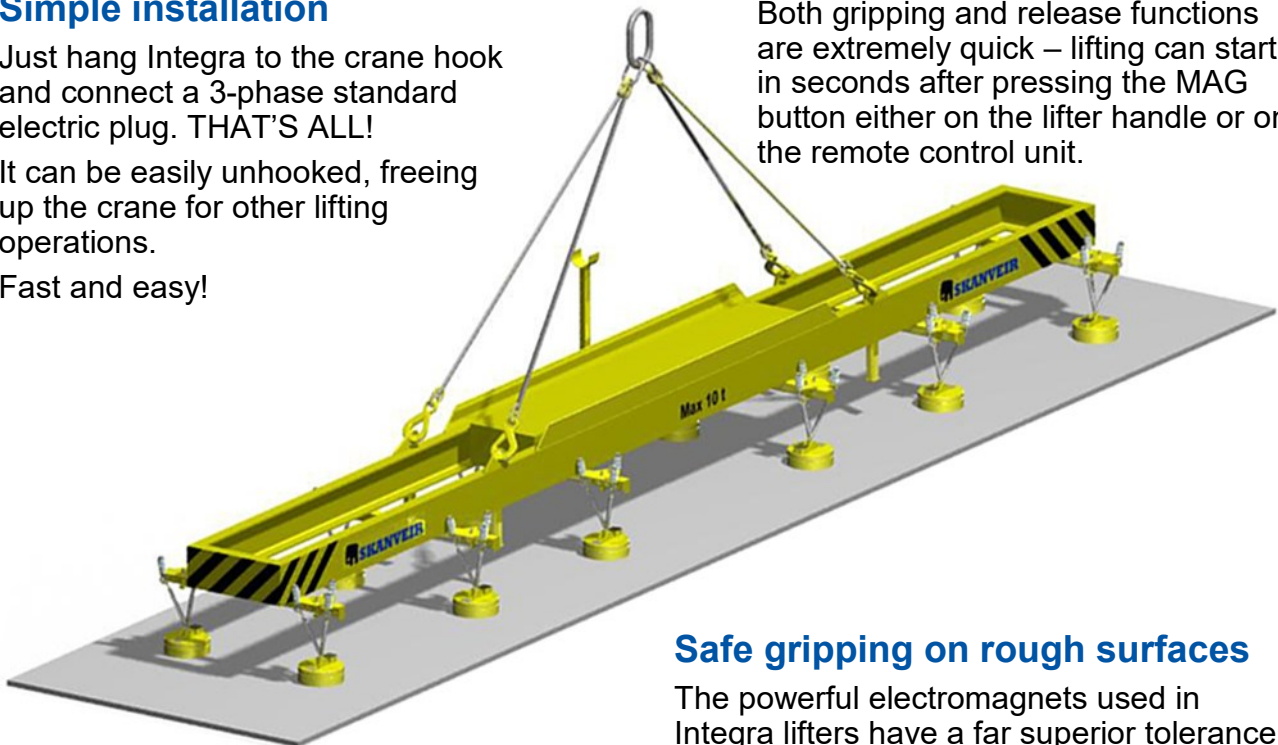
Just hang Integra to the crane hook and connect a 3-phase standard electric plug. THAT'S ALL!

It can be easily unhooked, freeing up the crane for other lifting operations.

Fast and easy!

Extremely quick

Both gripping and release functions are extremely quick – lifting can start in seconds after pressing the MAG button either on the lifter handle or on the remote control unit.



Safe gripping on rough surfaces

The powerful electromagnets used in Integra lifters have a far superior tolerance to air gap than the standard electro-permanent magnets. Furthermore, rough or uneven plate surfaces do not decrease the lifting capacity.

Separation of thin sheets

IntegraR with round magnets allows lifters to grip sheets even as thin as 3 mm. Stepless weakening of the magnetic field also facilitates the release of excess plates when lifting thin sheets from a stack.

STANDARD FEATURES

- Integra series for plates use strong electromagnets, which allow the quick and easy lifting of heavy plates
- Magnet's Control Unit
 - ON-OFF selection of individual magnets
 - TIPPING (stepless weakening of the magnetic field) facilitates dropping of excess plates when lifting plates from stack
 - PRE-SET power levels (8-step). For easier picking up of the plates from stack
- Back-up battery pack integrated to the lifter frame

OPTIONS

- Radio or pendant controllers
- Cable reel
- Rotation of the magnets
 - Manual or motorized
- Motorized telescopes

Ask for details on other combinations of magnets and beam lengths

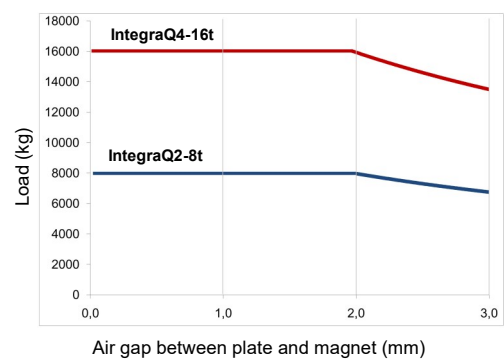
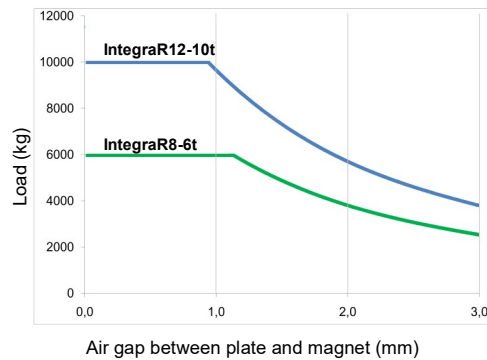
The Skanveir Magnetic Lifter complies with the requirements of European safety standard EN 13155

Skanveir Oy
Televisiotie 8, 15860 Hollola, Finland
Tel. +358 3 780 3230
skanveir@skanveir.com
www.skanveir.com

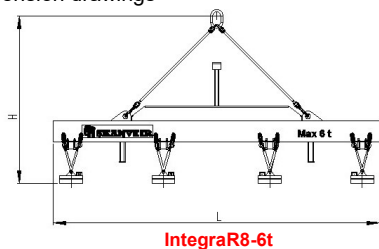
Integra series, basic models

Technical data	IntegraR8-6t	IntegraR12-10t	IntegraQ2-8t	IntegraQ4-16t
Characteristics	Multiple round magnets for thinner plates.		Rectangular magnets for thicker plates	
Rated lifting capacity	6 000 kg	10 000 kg	8 000 kg	16 000 kg
Lifts plate sizes	1,4 x 4,2 m x 3..50 mm	1,5 x 3,0 m x 5..50 mm	1,4 x 4,2 m x 5..170 mm	1,5 x 3,0 m x 5..220 mm
	1,5 x 3,0 m x 3..50 mm	2,0 x 6,0 m x 5..55 mm	1,5 x 3,0 m x 5..220 mm	2,0 x 6,0 m x 8..80 mm
	2,0 x 6,0 m x 3..60 mm	2,5 x 12,0 m x 5..40 mm	2,0 x 6,0 m x 5..80 mm	2,0 x 12,0 m x 8..80 mm
	2,5 x 6,0 m x 3..50 mm	3,0 x 12,0 m x 5..30 mm		2,5 x 12,0 m x 8..60 mm
Number of magnets	8 pcs	12 pcs	2 pcs	4 pcs
Magnet size	Ø 267 mm	Ø 267 mm	300 mm x 1000 mm	300 mm x 1000 mm
Dimensions L x W x H	4,6 m x 1,5 m x 2,4 m	10,0 m x 1,5 m x 3,5 m	3,0 m x 1,1 m x 2,4 m	9,5 m x 1,1 m x 3,5 m
Total weight	1400 kg	2600 kg	1700 kg	3600 kg
Electrical connection	3~ 400 V 50 Hz	3~ 400 V 50 Hz	3~ 400 V 50 Hz	3~ 400 V 50 Hz

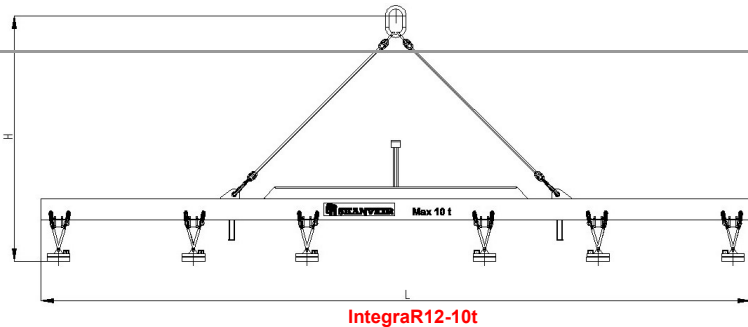
Safe lifting capacity at horizontal lifting.



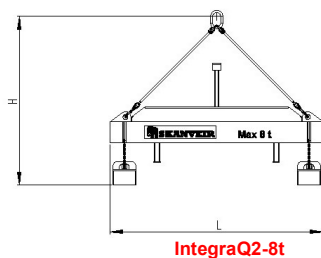
Dimension drawings



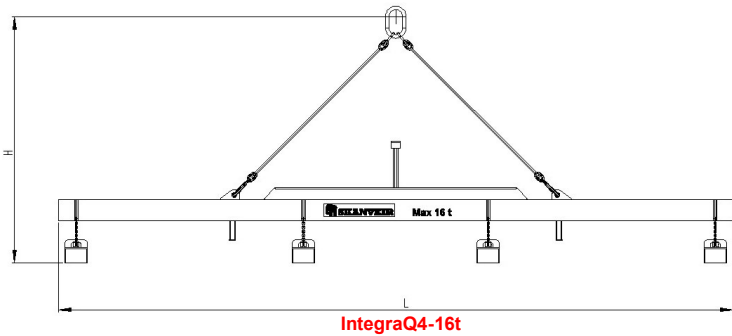
IntegraR8-6t



IntegraR12-10t



IntegraQ2-8t



IntegraQ4-16t

Ask for details on other combinations of magnets and beam lengths
 The Skanveir Magnetic Lifter complies with the requirements of European safety standard EN 13155

Skanveir Oy
 Televisiotie 8, 15860 Hollola, Finland
 Tel. +358 3 780 3230
 skanveir@skanveir.com